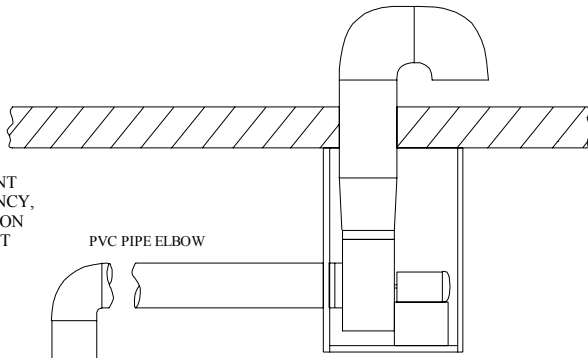
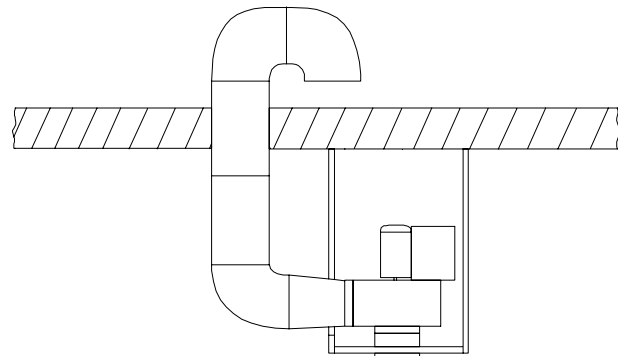
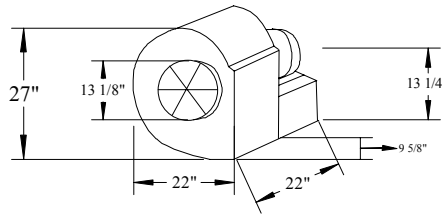
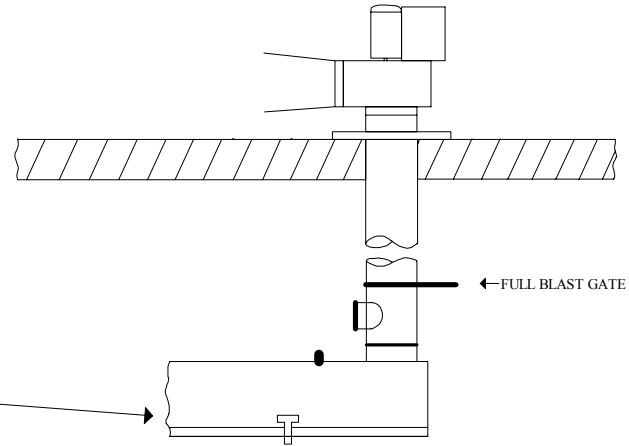


FOR LEAST IMPAIRMENT  
AND BLOWER EFFICIENCY,  
STRAIGHT DUCT SECTION  
BEFORE BLOWER INLET  
SHOULD BE AT LEAST  
3 FT. LONG

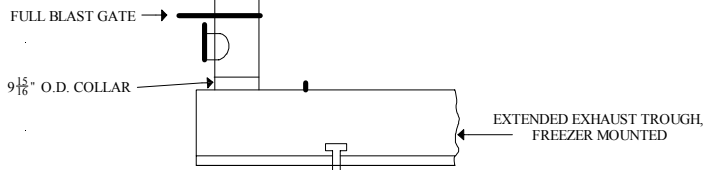
EXHAUST PIPE-  
PVC PIPE,  
PREFER WHITE COLOR.



PREFERRED ARRANGEMENT



ALTERNATE ARRANGEMENT



#### Suggested Blower- Motor Assembly

1. Design can be modified to fit particular case.
  - a. Total duct run should be as short as possible.
  - b. Avoid use of 90° or 45° turn where possible.
  - c. The blower is more efficient pushing than pulling. Therefore, mount blower as close to freezer as practical.
2. Blower may be mounted outside on roof of building but only where freezing weather is rare (Southern Climates). Outside mounted blower may ice up in freezing weather.
3. Do not put bug screen directly on duct outlet end. If bug screen is necessary, build it as a cage out from the duct end.

Motor/Blower Combo:  
Grainger 7AT84 (uses Dayton 4C217 blower)  
1.5hp, 12.5" Blower Inlet 4.8/2.4 Amp. 1725 rpm  
208-230/460V

Motor Only:  
Grainger 48ZJ88

ULTRA-FREEZE VAPOR EXHAUST SYSTEM  
TYPICAL INSTALLATION  
MODIFY TO SUIT